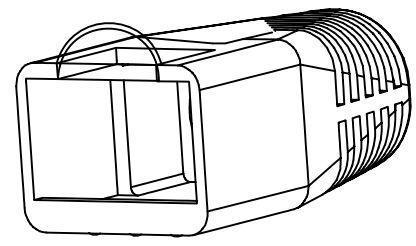
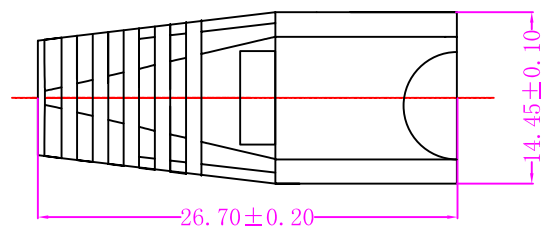
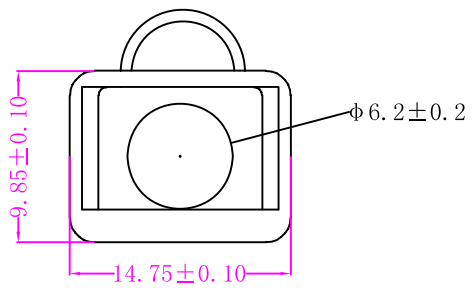
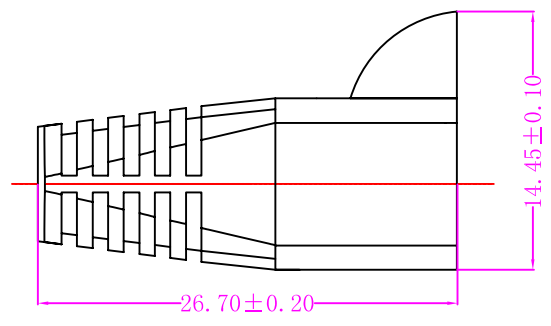


REV	DESCRIPTION	DATE
A/0	Initial issue	2017-05-10



Description:

1. Material: PVC, 75P
2. Color: Grey, Red, Blue, Yellow, Green, Black
3. Use for cat5/5e/cat.6 connectors for network cable.

SECTION A-A

<b>VCOM</b> VCOM INTERNATIONAL LTD.						
ITEM	RJ45 Boot	CUSTOMER		UNITS	mm	PAGE: 1 of 1
PART NO.	VC-F17-0004	CUSTOMER NO.		SCALE		
PRODUCT NO.	NM001	REV:	A/0	DATE	2017-05-10	
APPROVED BY:		CHECKED BY:		DRAWN BY: CT		