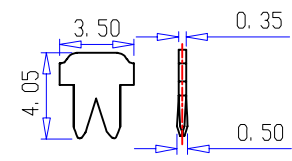
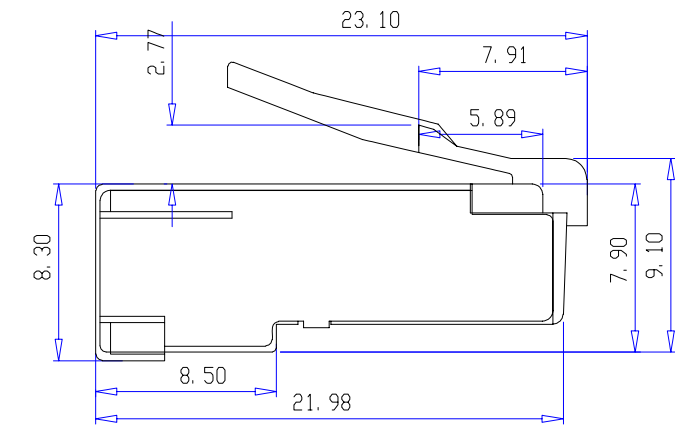
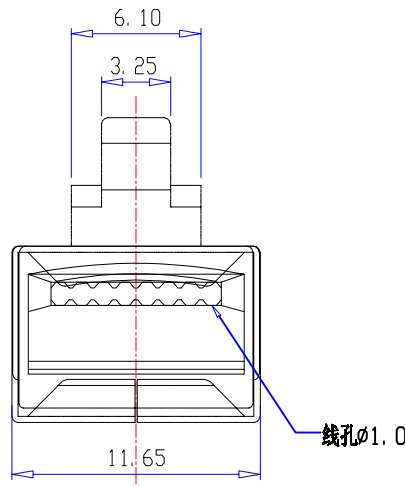
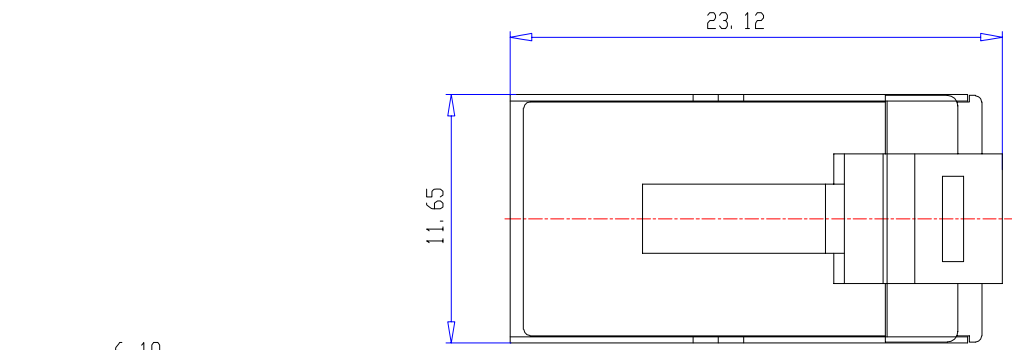


REV	DESCRIPTION	DATE
A/0	Initial issue	2017-05-09



For Standard Wire

FEATURES:
1 Electrical Test:
A. 250V AC max at 2 amps.
B. Dielectric with standing 500volts AC.
C. Insulation Resistance:500 megaohms.
D. Termination Resistance:35megaohms.
2 Mechanical:
A. Cable-to-Plug tensile strength-20LBs(89N)min.
B. Durability:500 mating cycles.

VCOM VCOM INTERNATIONAL LTD.						
ITEM	RJ45 PLUG CAT5E STP	CUSTOMER		UNITS	mm	PAGE: 1 of 1
PART NO.	VC-F17-0003	CUSTOMER NO.		SCALE		
PRODUCT NO.	NM025	REV:	A/0	DATE	2017-05-09	
APPROVED BY:		CHECKED BY:		DRAWN BY:	CT	